

Choco Kebab®

Treat customers to a delicious chocolate kebab with tasty milk and white chocolate wrapped with soft and light freshly made Choco Pita. Top this mouth watering treat off with a selection of cream, sprinkles or whatever your heart desires, this is one dessert not to be missed!



KEY FEATURES

- Perfect for hotels, restaurants, shopping centres, weddings, parties and more!
- Make a variety of desserts, the possibilities are endless
- Have as a dessert or as a main feature
- Make your own fresh and warm pita
- Simple to use and easy to clean

What's included in the package:

Chocolate Kebab Rotating Unit and Tools
10kg Chocolate Cyclinder
Teflon Coated Choco Pita Maker
10kg of Pita Mix
500 Choco Kebab Serving Trays
Supplies will cater for approx. 500 servings

Display stands
also available
contact us
for more
info



continued on page 2

For more information, please contact a member of the team by phone or email using the details below:

email: info@jmosner.co.uk
Tel: 0044 (0) 1923 220805

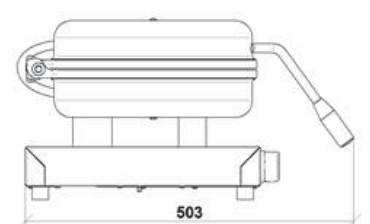
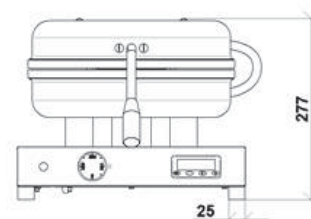
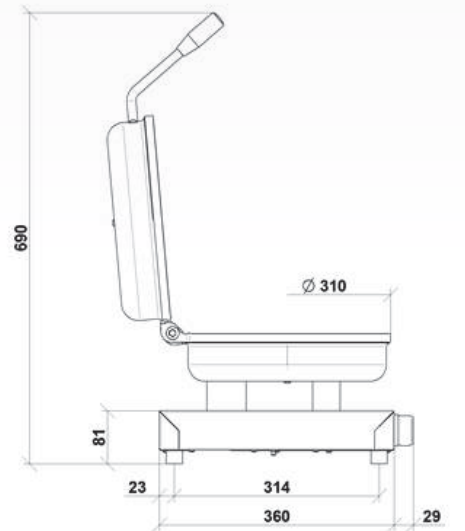
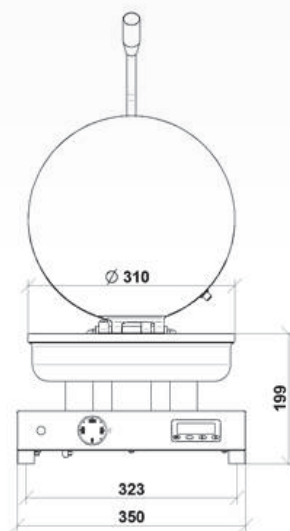
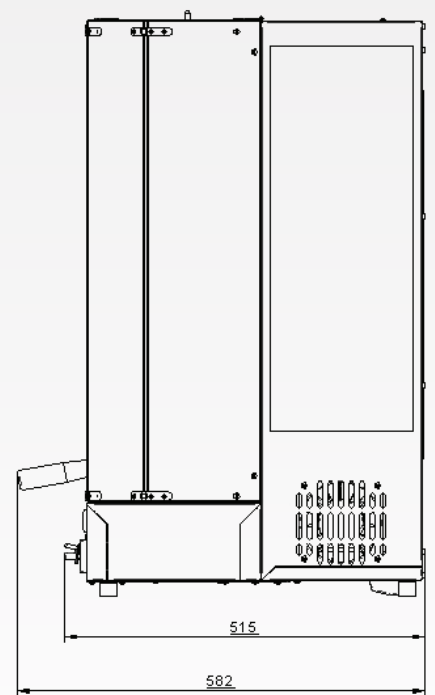
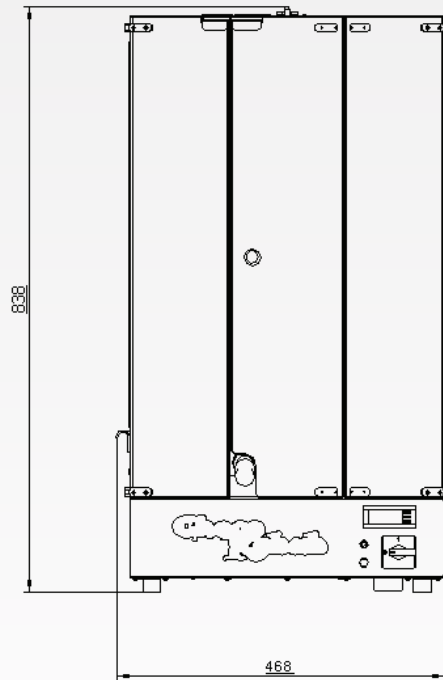
website: www.jmosner.co.uk
Fax: 0044 (0) 1923 250797

• **SPECIFICATION CHOCO KEBAB**

- **Height:** 84 cm
- **Width:** 47 cm
- **Depth:** 52 cm
- **Weight:** 50 kg
- **Electrical:** AC 220 - 240V
50/60Hz - 200W
- **Product code:** Choco kebab

• **SPECIFICATION PITA MAKER**

- **Height:** 28 / 69_(open) cm
- **Width:** 35 cm
- **Depth:** 50 cm
- **Weight:** 19 kg
- **Electrical:** AC 220 - 240V
50/60Hz - 2400W
- **Product code:** Rondo 30



For more information, please contact a member of the team by phone or email using the details below:

email: info@jnposner.co.uk
Tel: 0044 (0) 1923 220805

website: www.jnposner.co.uk
Fax: 0044 (0) 1923 250797

